



True power monitoring in 1- or 3-phase loads

G4BM480V12ATL20

- Loadmonitors - GAMMA series
- Multifunction
- Temperature monitoring of the motor winding
- Reset-key
- Fault latch
- Recognition of disconnected load
- Suitable for VFI (10 to 100Hz)
- Supply voltage selectable via power modules
- 2 change over contacts
- Width 45mm
- Industrial design



Read and understand these instructions before installing, operating or maintaining the equipment.



Danger!
Never carry out work on live parts! Danger of fatal injury! The product must not be used in case of obvious damage. To be installed by an authorized person.

Technical data

1. Functions

True power monitoring in 1- and 3-phase loads with adjustable thresholds (P1 and P2), timing for start-up suppression time and tripping delay separately adjustable, selectable fault latch, temperature monitoring of the motor winding with max. 6 PTC, reset-key and the following functions which are selectable by means of rotary switch:

- | | |
|-----------------|--|
| 2MIN | Minimum monitoring |
| 2MIN+I< ON | Minimum monitoring and recognition of disconnected consumers (relay ON if I<) |
| 2MIN+I< Inv. | Minimum monitoring and recognition of disconnected consumers (relay OFF if I< Inv.) |
| 2MAX | Maximum monitoring |
| 2MAX+I< ON | Maximum monitoring and recognition of disconnected consumers (relay ON if I<) |
| 2MAX+I< Inv. | Maximum monitoring and recognition of disconnected consumers (relay OFF if I< Inv.) |
| WIN | Monitoring the window between MIN and MAX |
| WIN+I< ON | Monitoring the window between MIN and MAX and recognition of disconnected consumers (relay ON if I<) |
| WIN+I< Inv. | Monitoring the window between MIN and MAX and recognition of disconnected consumers (relay OFF if I< Inv.) |
| MIN/MAX | Minimum- and maximum monitoring |
| MIN/MAX+I< ON | Minimum- and maximum monitoring and recognition of disconnected consumers (relay ON if I<) |
| MIN/MAX+I< Inv. | Minimum- and maximum monitoring and recognition of disconnected consumers (relay OFF if I< Inv.) |

2. Time ranges

	Adjustment range	
Start-up suppression time:	1s	100s
Tripping delay:	0.1s	50s

3. Indicators

- Green LED U/t ON: indication of supply voltage
- Green LED U/t flashes: indication of start-up suppression time
- Yellow LED I=0 ON/OFF: indication of disconnected consumers
- Red LED Failure ON: indication of failure of the corresponding threshold P1 or P2
- Red LED Failure flashes: indication of tripping delay of the corresponding threshold P1 or P2
- Red LED Temp ON/OFF: indication of overtemperature
- Yellow LED Rel 1 ON/OFF: indication of relay output Rel 1
- Yellow LED Rel 2 ON/OFF: indication of relay output Rel 2

4. Mechanical design

- Self-extinguishing plastic housing, IP rating IP40
- Mounted on DIN-Rail TS 35 according to EN 60715
- Mounting position: any. Shockproof terminal connection according to VBG 4 (PZ1 required), IP rating IP20
- Tightening torque: max. 1Nm
- Terminal capacity:
 - 1 x 0.5 to 2.5mm² with/without multicore cable end
 - 1 x 4mm² without multicore cable end
 - 2 x 0.5 to 1.5mm² with/without multicore cable end
 - 2 x 2.5mm² flexible without multicore cable end

5. Input circuit

- Supply voltage: 12 to 500V a.c.
- terminals A1-A2 (galvanically separated) selectable via power module type TR3 according to specification of power module
- Tolerance: according to specification of power module
- Rated frequency: 3.5VA (3W)
- Rated consumption: 100%
- Duration of operation: 500ms
- Reset time: -
- Ripple and noise: >30% of the supply voltage
- Drop-out voltage: III (in accordance with IEC 60664-1)
- Overvoltage category: 4kV
- Rated surge voltage: 4kV

6. Output circuit

- 2 potential free change over contacts
- Rated voltage: 250V a.c.
- Switching capacity: 750VA (3A / 250V a.c.)
- If the distance between the devices is less than 5mm!
- Rated voltage: 1250VA (5A / 250V a.c.)
- If the distance between the devices is greater than 5mm!
- Fusing: 5A flink
- Mechanical life: 20 x 10⁶ operations
- Electrical life: 2 x 10⁵ operations at 1000VA resistive load
- Switching capacity: max. 60/min at 100VA resistive load
max. 6/min at 1000VA resistive load (in accordance with IEC 60947-5-1)
- Overvoltage category: III (in accordance with IEC 60664-1)
- Rated surge voltage: 4kV

7. Measuring circuit

- Measuring range P_N: reversible between 0.75kW, 1.5kW, 3kW and 6kW
- Wave form:
 - AC Sinus: 10 to 400Hz
 - Sinus weighted PWM: 10 to 100Hz

Technical data

Measuring input voltage:	terminals L1-L2-L3
1-phase load	0 to 480V a.c.
3-phase load	3~ 0 to 480/277V
Overload capacity:	
1-phase load	550V AC
3-phase load	3~ 550/318V
Input resistance:	1.25M Ω
Measuring input current:	terminals i-k
Measuring range 0.75kW, 1.5kW:	0.15 to 6A
Measuring range 3kW, 6kW:	0.3 to 12A
	(for I>8A distance >5mm)
Overload capacity:	12A permanent
Input resistance:	<10m Ω
I< - recognition:	
Power interruption:	
Measuring range 0.75kW, 1.5kW:	150mA
Measuring range 3kW, 6kW:	180mA
Current flow recognition:	
Measuring range 0.75kW, 1.5kW:	300mA
Measuring range 3kW, 6kW:	360mA
Switching threshold P:	
Switching threshold P1:	10% to 120% of P _N
Switching threshold P2:	5% to 110% of P _N
Hysteresis:	1% of maximum value of the measuring range
Temperature monitoring:	
Terminals:	T1-T2
Initial resistance:	<1.5kW
Response value (Relais in on-position):	\geq 3.6kW
Release value (Relais in off-position):	\leq 1.8kW
Disconnection (short circuit thermistor):	no
Measuring voltage T1-T2:	\leq 7.5V at R \leq 4.0kW (in accordance with EN 60947-8)
Overvoltage category:	III (in accordance with IEC 60664-1)
Rated surge voltage:	4kV

8. Control contact Y (equipotential with measuring circuit)

Function:	latch (terminal Y1-Y2 bridged)
Loadable:	no
Line length Y1-Y2:	max. 10m (twisted pair)
Control pulse length:	-
Reset:	normally closed contact in the input circuit

9. Accuracy

Base accuracy:	\pm 2% (of maximum scale value)
Frequency response:	\pm 0.025% / Hz
Adjustment accuracy:	\leq 5% (of maximum scale value)
Repetition accuracy:	\pm 2%
Voltage influence:	-
Temperature influence:	\leq 0.02% / °C

10. Ambient conditions

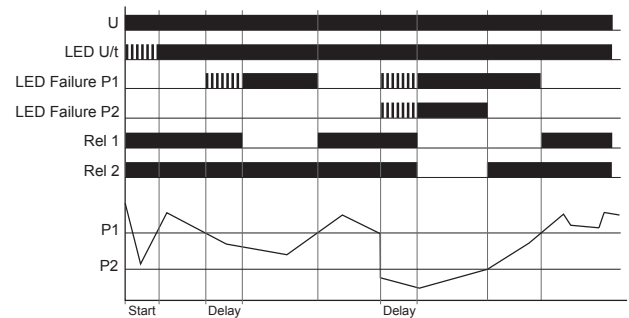
Ambient temperature:	-25 to +55°C (in accordance with IEC 60068-1) -25 to +40°C (in accordance with UL 508)
Storage temperature:	-25 to +70°C
Transport temperature:	-25 to +70°C
Relative humidity:	15% to 85% (in accordance with IEC 60721-3-3 class 3K3)
Pollution degree:	3 (in accordance with IEC 60664-1)
Vibration resistance:	10 to 55Hz 0.35mm (in accordance with IEC 60068-2-6)
Shock resistance:	15g 11ms (in accordance with IEC 60068-2-27)

Functions

When the supply voltage U is applied (green LED U/t illuminated) the output relays Rel 1 and Rel 2 switches into on-position (yellow LED Rel 1 and Rel 2 illuminated) and the set interval of the start-up suppression time (Start) begins (green LED U/t flashes). Changes of the measured true power during this period don't affect the state of the output relays Rel 1 and Rel 2. After the interval has expired the green LED U/t illuminates steadily.

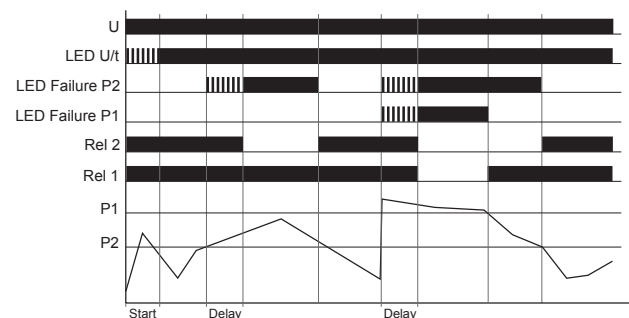
Minimum monitoring (2MIN)

The adjusted threshold for P1 must be greater than the adjusted threshold for P2. When the measured true power falls below the value adjusted at the P1-regulator, the set interval of the tripping delay (Delay) begins (red LED Failure of the corresponding threshold P1 flashes). After the interval has expired (red LED Failure of the corresponding threshold P1 illuminated), the output relay Rel 1 switches into off-position (yellow LED Rel 1 not illuminated). When the measured true power exceeds the value adjusted at the P2-regulator, the set interval of the tripping delay (Delay) begins (red LED Failure of the corresponding threshold P2 flashes). After the interval has expired (red LED Failure of the corresponding threshold P2 illuminated), the output relay Rel 2 switches into off-position (yellow LED Rel 2 not illuminated). As soon as the measured true power exceeds the adjusted value at the corresponding regulator P1 or P2 (red LED Failure of the corresponding threshold P1 or P2 not illuminated), the output relay Rel 1 or Rel 2 switches into on-position again (yellow LED Rel 1 or Rel 2 illuminated).



Maximum monitoring (2MAX)

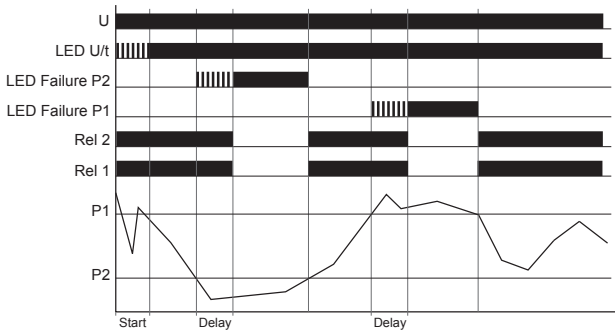
The adjusted threshold for P2 must be greater than the adjusted threshold for P1. When the measured true power exceeds the value adjusted at the P2-regulator, the set interval of the tripping delay (Delay) begins (red LED Failure of the corresponding threshold P2 flashes). After the interval has expired (red LED Failure of the corresponding threshold P2 illuminated), the output relay Rel 2 switches into off-position (yellow LED Rel 2 not illuminated). When the measured true power exceeds the value adjusted at the P1-regulator, the set interval of the tripping delay (Delay) begins (red LED Failure of the corresponding threshold P1 flashes). After the interval has expired (red LED Failure of the corresponding threshold P1 illuminated), the output relay Rel 1 switches into off-position (yellow LED Rel 1 not illuminated). As soon as the measured true power falls below the adjusted value at the corresponding regulator P1 or P2 (red LED Failure of the corresponding threshold P1 or P2 not illuminated), the output relay Rel 1 or Rel 2 switches into on-position again (yellow LED Rel 1 or Rel 2 illuminated).



Functions

Window function (WIN)

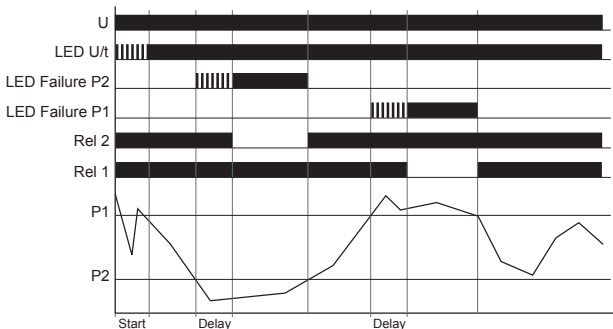
The adjusted threshold for P1 must be greater than the adjusted threshold for P2. When the measured true power falls below the value adjusted at the P2-regulator, the set interval of the tripping delay (Delay) begins (red LED Failure of the corresponding threshold P2 flashes). After the interval has expired (red LED Failure of the corresponding threshold P2 illuminated), the output relays Rel 1 and Rel 2 switches into off-position (yellow LED Rel 1 and Rel 2 not illuminated). The output relays Rel 1 and Rel 2 switches into on-position again (yellow LED Rel 1 and Rel 2 illuminated), as soon as the the measured true power exceeds the adjusted value at the P2-regulator (red LED Failure of the corresponding threshold P2 not illuminated). When the measured true power exceeds the value adjusted at the P1-regulator, the set interval of the tripping delay (Delay) begins (red LED Failure of the corresponding threshold P1 flashes). After the interval has expired (red LED Failure of the corresponding threshold P1 illuminated), the output relays Rel 1 and Rel 2 switches into off-position (yellow LED Rel 1 and Rel 2 not illuminated). As soon as the measured true power falls below the value adjusted at the P1-regulator (red LED Failure of the corresponding threshold P1 not illuminated) the output relays Rel 1 and Rel 2 switches into on-position again (yellow LED Rel 1 and Rel 2 illuminated).



Minimum- and maximum monitoring (MIN/MAX)

The adjusted threshold for P1 must be greater than the adjusted threshold for P2. When the measured true power falls below the value adjusted at the P2-regulator, the set interval of the tripping delay (Delay) begins (red LED Failure of the corresponding threshold P2 flashes). After the interval has expired (red LED Failure of the corresponding threshold P2 illuminated), the output relay Rel 2 switches into off-position (yellow LED Rel 2 not illuminated). The output relay Rel 2 switches into on-position again (yellow LED Rel 2 illuminated), as soon as the the measured true power exceeds the adjusted value at the P2-regulator (red LED Failure of the corresponding threshold P2 not illuminated).

When the measured true power exceeds the value adjusted at the P1-regulator, the set interval of the tripping delay (Delay) begins (red LED Failure of the corresponding threshold P1 flashes). After the interval has expired (red LED Failure of the corresponding threshold P1 illuminated), the output relay Rel 1 switches into off-position (yellow LED Rel 1 not illuminated). As soon as the measured true power falls below the value adjusted at the P1-regulator (red LED Failure of the corresponding threshold P1 not illuminated) the output relay Rel 1 switches into on-position again (yellow LED Rel 1 illuminated).



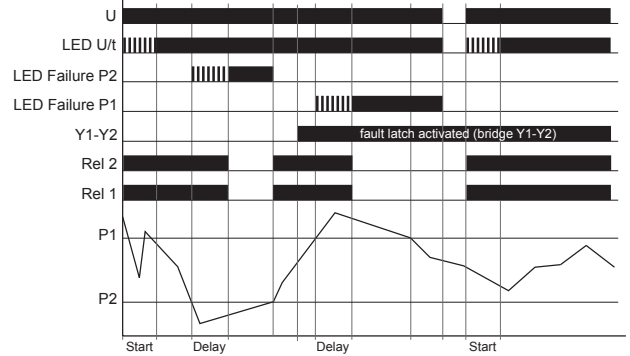
Fault latch

The fault latch can be activated via bridge between the terminals Y1 and Y2. If the fault latch is activated and a failure has occurred (red LED of the corresponding threshold or red LED Temp illuminated), the failure can only be reset by interrupting the supply voltage or pressing the reset-key. After resetting the failure and re-applying of the supply voltage, the output relays Rel 1 and Rel 2 switches into on-position again and the measuring cycle begins with the set interval of the start-up suppression time (Start).

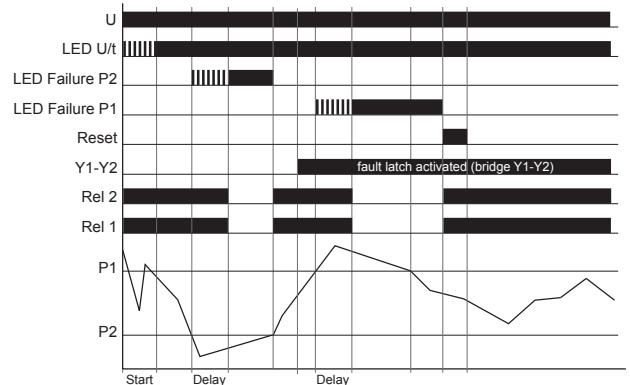
Note:

The fault latch remains active inspite of a I=0 recognition!

Example: Window function (WIN) - Resetting the fault latch by interrupting the supply voltage



Example: Window function (WIN) - Resetting the fault latch by pressing the reset-key



Functions

Recognition of disconnected consumers

The following applies for functions, where the I=0 recognition is activated:

When the current flow between i and k is interrupted (yellow LED I=0 illuminated) and the minimum-, window- or minimum- and maximum function is activated (2MIN+I=0, WIN+I=0, MIN/MAX+I=0), the output relays Rel 1 and Rel 2 remains into on-position (yellow LED Rel 1 and LED Rel 2 illuminated).

When the maximum function is activated (2MAX+I=0), the output relays Rel 1 and Rel 2 switches into off-position (yellow LED Rel 1 and LED Rel 2 not illuminated).

When the current flow restores, the measuring cycle is restarted with the set interval of the start-up suppression time (Start) (green LED U/t flashes).

The following applies for functions, where the inverted I=0 recognition is activated:

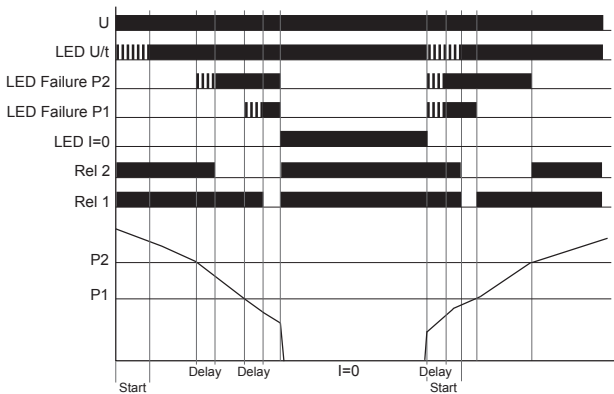
When the current flow between i and k is interrupted (yellow LED I=0 illuminated), the output relays behaves inverse to the above mentioned function.

If the minimum-, window- or minimum- and maximum function (2MIN+I=0 Inv., WIN+I=0 Inv., MIN/MAX+I=0 Inv.) is activated, the output relays Rel 1 and Rel 2 switches into off-position (yellow LED Rel 1 and LED Rel 2 not illuminated).

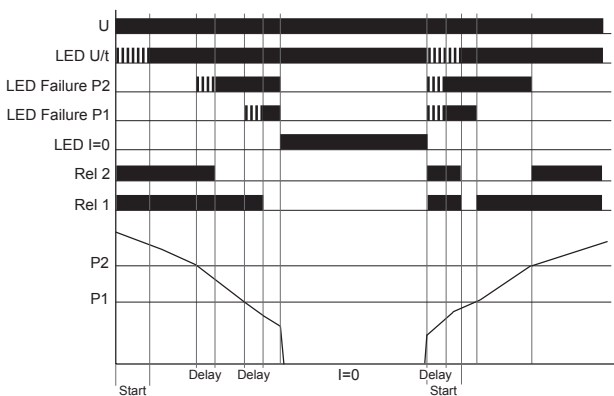
When the maximum function is activated (2MAX+I=0 Inv.), the output relays Rel 1 and Rel 2 remains in on-position (yellow LED Rel 1 and LED Rel 2 illuminated).

When the current flow restores, the measuring cycle is restarted with the set interval of the start-up suppression time (Start) (green LED U/t flashes).

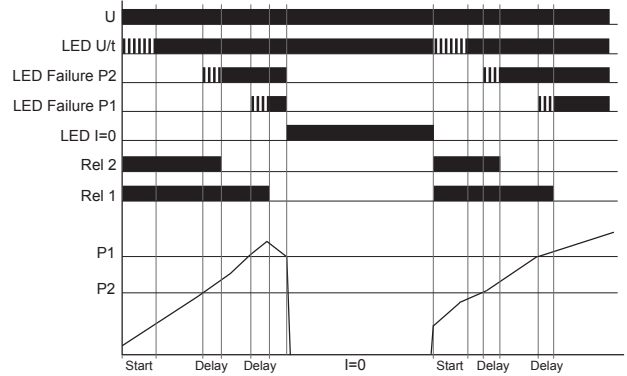
I=0 with minimum monitoring (2MIN+I=0)



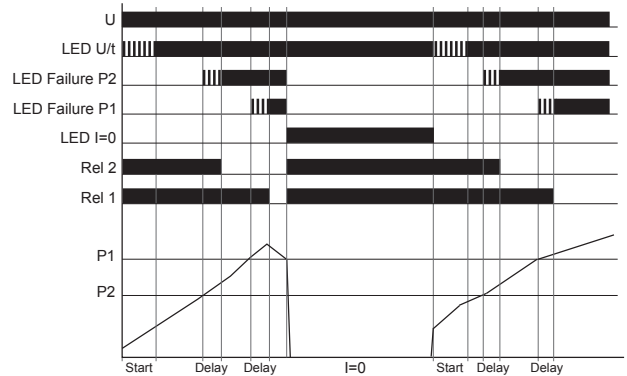
I=0 Inv. with minimum monitoring (2MIN+I=0 Inv.)



I=0 with maximum monitoring (2MAX+I=0)



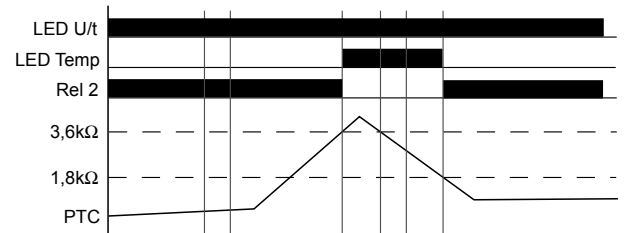
I=0 Inv. with maximum monitoring (2MAX+I=0 Inv.)



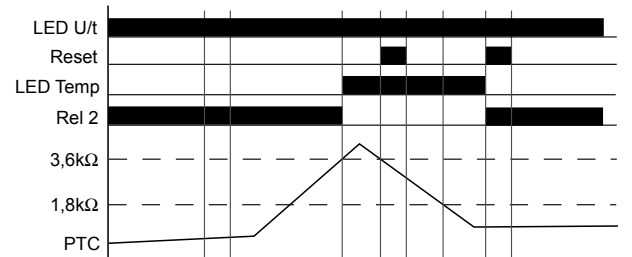
Temperature monitoring of the motor winding

If the supply voltage U is applied (green LED U/t illuminated) and the cumulative resistance of the PTC-circuit is less than 3.6kΩ (standard temperature of the motor), the output relay Rel 2 switches into on-position if no other failure is applied! When the cumulative resistance of the PTC-circuit exceeds 3.6kΩ (at least one of the PTCs has reached the cut-off temperature), the output relay Rel 2 switches into off-position (yellow LED Rel 2 not illuminated) and a failure will be indicated (red LED Temp illuminated). The output relay Rel 2 switches into on-position again (yellow LED Rel 2 illuminated) respectively the failure will be cancelled (red LED Temp not illuminated), if the cumulative resistance drops below 1.8kΩ by cooling down of the PTC. If the fault latch is activated, a press of the reset-key is required to cancel the temperature failure.

Temperature monitoring without fault latch



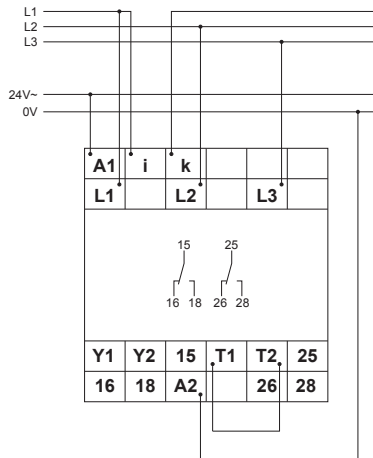
Temperature monitoring with fault latch



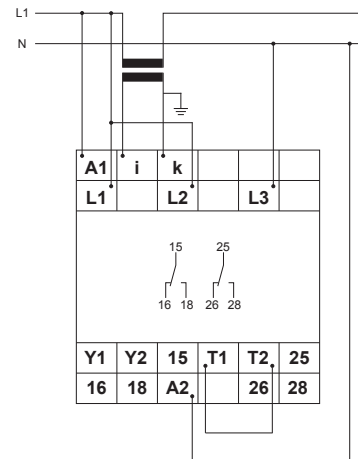
Note: If the output relay Rel 2 should switch into on-position again, no other failure should be applied!

Connections

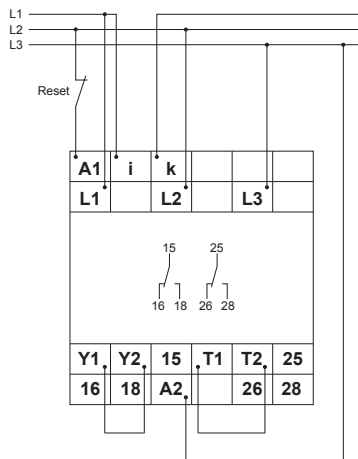
Connected 3~ 400V with power module 24V a.c. without fault latch $I_N < 12A$



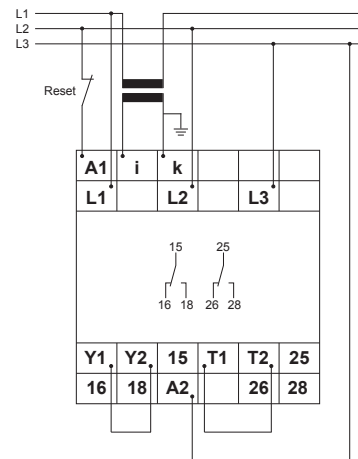
Connected 1~ 230V with power module 230V a.c. without fault latch but with current transformer $I_N > 12A$



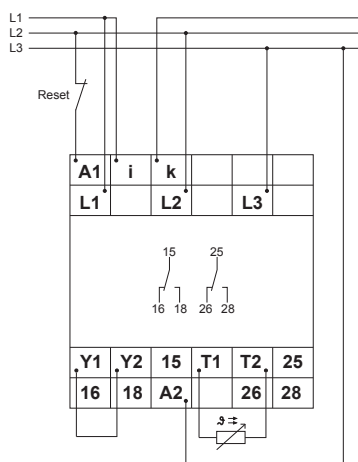
Connected 3~ 400V with power module 400V a.c. with fault latch $I_N < 12A$



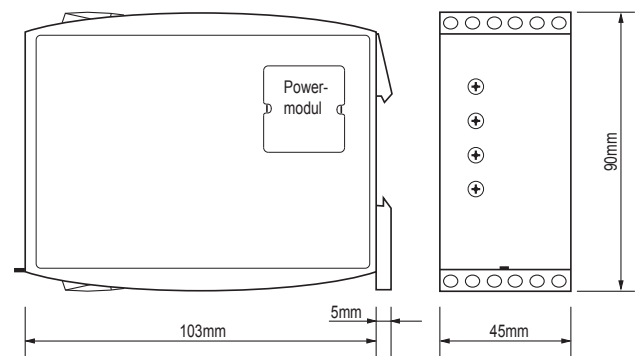
Connected 3~ 400V with power module 400V a.c. with fault latch and current transformer $I_N > 12A$



Connected 3~ 400V with power module 400V a.c. with fault latch and temperature monitoring sensor $I_N < 12A$



Dimensions



TELE Haase Steuergeräte Ges.m.b.H.
Vorarlberger Allee 38
A-1230 Wien

RELEASE 2011/01

Subject to alterations and errors